

A LITTLE BIT

READY FOR TAKE OFF

OLIGO Lichttechnik GmbH
Tannenweg 1
DE - 53757 Sankt Augustin
Germany
www.oligo.de
info@oligo.de

Art.-Nr. / Item-No.

11-898-40-XX 2700K

11-898-50-XX 3000K

Dieses Produkt enthält Lichtquelle/n des Typs Citizen Electronics Co., LTD.,
CLU701-0304C4-273H5K2 / CLU701-0304C4-303H5K2 der Energieeffizienzklasse F

| | |
|------|--------------------------------|
| (D) | Leuchtmittel nicht ersetzbar |
| (GB) | Bulbs not replaceable |
| (NL) | Lamp niet vervangbaar |
| (F) | Ampoules non remplaçables |
| (I) | Lampadina non sostituibile |
| (ES) | Bombillas no reemplazables |
| (P) | Lâmpada não substituível |
| (DK) | Ljuskällorna kan inte bytas ut |

| | |
|-------|-------------------------------------|
| (S) | Bulb inte utbytbara |
| (N) | Lyspærer kan ikke skiftes ut |
| (FI) | Valistusvälinettä ei voi vaihtaa |
| (TR) | Ampuller değiştirilemez |
| (PL) | Źródło światła nie jest wymienne |
| (GR) | Οι λαμπτήρες δεν αντικαθίστανται |
| (RUS) | Светодиоды не поддаются замене |
| (UAE) | تجهيزات الإضاءة غير قابلة للاستبدال |

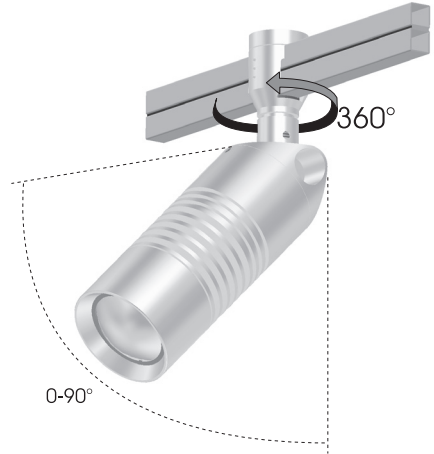
| | AC12V/50-60Hz DC12V | 10,3W 7,6W | LED / 550 lm / CRI > 90 |
|-------|------------------------|---------------|-------------------------|
| (D) | Spannung | Belastung | Lampe |
| (GB) | Voltage | Loading | Bulb |
| (NL) | Spanning | Belasting | Verlichtingsmiddel |
| (F) | Tension | Charge | Ampoule |
| (I) | Tensione | Carico | Sorgente luminosa |
| (ES) | Tensión | Carga | Lámpara |
| (P) | Tensão | Carga | Lâmpada |
| (DK) | Spænding | Belastning | Pære |
| (S) | Spänning | Belastning | Ljuskälla |
| (N) | Spenning | Fatning | Lampe |
| (FI) | Jännite | Kuormitus | Lamppu |
| (TR) | Gerilim | Yük | Lamba |
| (PL) | Napięcie | Oprawka | Lampa |
| (GR) | Τάση | Υποδοχή | Λαμπτήρας |
| (RUS) | Напряжение | Нагрузка | Лампочка |
| (UAE) | الجهد الكهربى | الدواة | المصباح |

| | |
|---|--|
| | |
| | |
| IEC 62471 (EN 62471) RG1 - LOW RISK | |
| | |
| | |

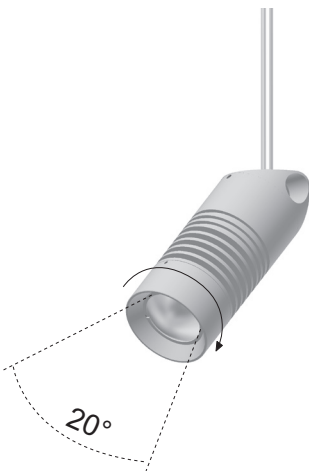
A   
SAFETY INSTRUCTIONS



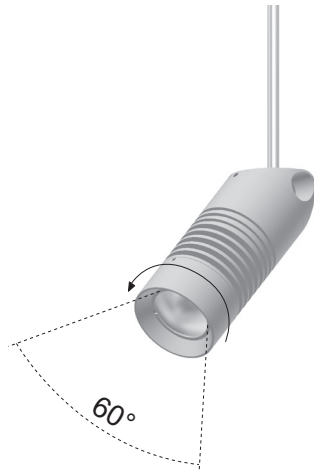
B



C



D



A LITTLE BIT

READY FOR TAKE OFF

OLIGO Lichttechnik GmbH
Tannenweg 1
DE - 53757 Sankt Augustin
Germany
www.oligo.de
info@oligo.de

Art.-Nr. / Item-No.

11-898-40-XX 2700K

11-898-50-XX 3000K

Dieses Produkt enthält Lichtquelle/n des Typs Citizen Electronics Co., LTD.,
CLU701-0304C4-273H5K2 / CLU701-0304C4-303H5K2 der Energieeffizienzklasse F

| | |
|------|--------------------------------|
| (D) | Leuchtmittel nicht ersetzbar |
| (GB) | Bulbs not replaceable |
| (NL) | Lamp niet vervangbaar |
| (F) | Ampoules non remplaçables |
| (I) | Lampadina non sostituibile |
| (ES) | Bombillas no reemplazables |
| (P) | Lâmpada não substituível |
| (DK) | Ljuskällorna kan inte bytas ut |

| | |
|-------|-------------------------------------|
| (S) | Bulb inte utbytbara |
| (N) | Lyspærer kan ikke skiftes ut |
| (FI) | Valistusvälinettä ei voi vaihtaa |
| (TR) | Ampuller değiştirilemez |
| (PL) | Źródło światła nie jest wymienne |
| (GR) | Οι λαμπτήρες δεν αντικαθίστανται |
| (RUS) | Светодиоды не поддаются замене |
| (UAE) | تجهيزات الإضاءة غير قابلة للاستبدال |

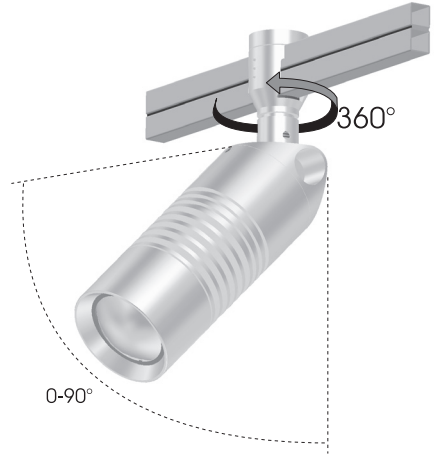
| | AC12V/50-60Hz DC12V | 10,3W 7,6W | LED / 550 lm / CRI > 90 |
|-------|------------------------|---------------|-------------------------|
| (D) | Spannung | Belastung | Lampe |
| (GB) | Voltage | Loading | Bulb |
| (NL) | Spanning | Belasting | Verlichtingsmiddel |
| (F) | Tension | Charge | Ampoule |
| (I) | Tensione | Carico | Sorgente luminosa |
| (ES) | Tensión | Carga | Lámpara |
| (P) | Tensão | Carga | Lâmpada |
| (DK) | Spænding | Belastning | Pære |
| (S) | Spänning | Belastning | Ljuskälla |
| (N) | Spenning | Fatning | Lampe |
| (FI) | Jännite | Kuormitus | Lamppu |
| (TR) | Gerilim | Yük | Lamba |
| (PL) | Napięcie | Oprawka | Lampa |
| (GR) | Τάση | Υποδοχή | Λαμπτήρας |
| (RUS) | Напряжение | Нагрузка | Лампочка |
| (UAE) | الجهد الكهربى | الدواة | المصباح |

| | |
|---|--|
| | |
| | |
| IEC 62471 (EN 62471) RG1 - LOW RISK | |
| | |
| | |

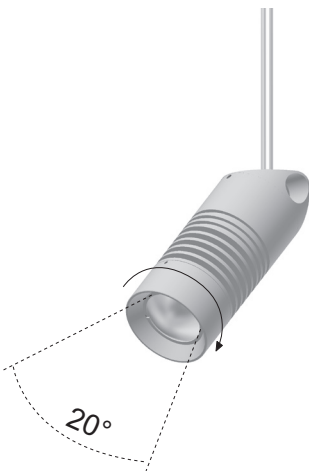
A   
SAFETY INSTRUCTIONS



B



C



D

