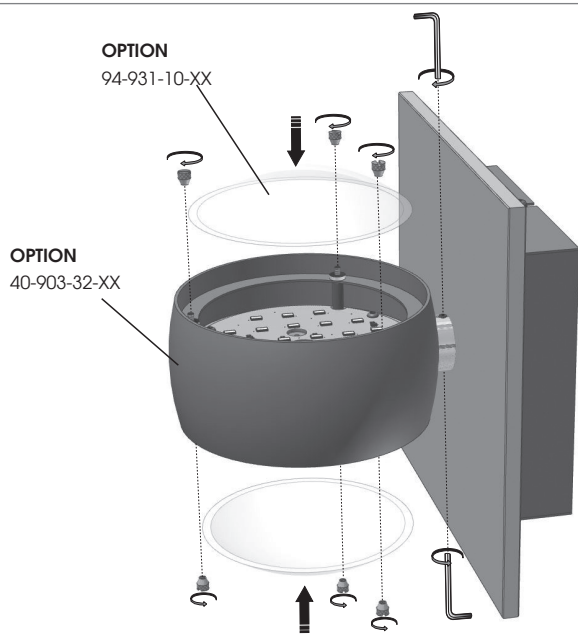


E



GRACE UNLIMITED LED

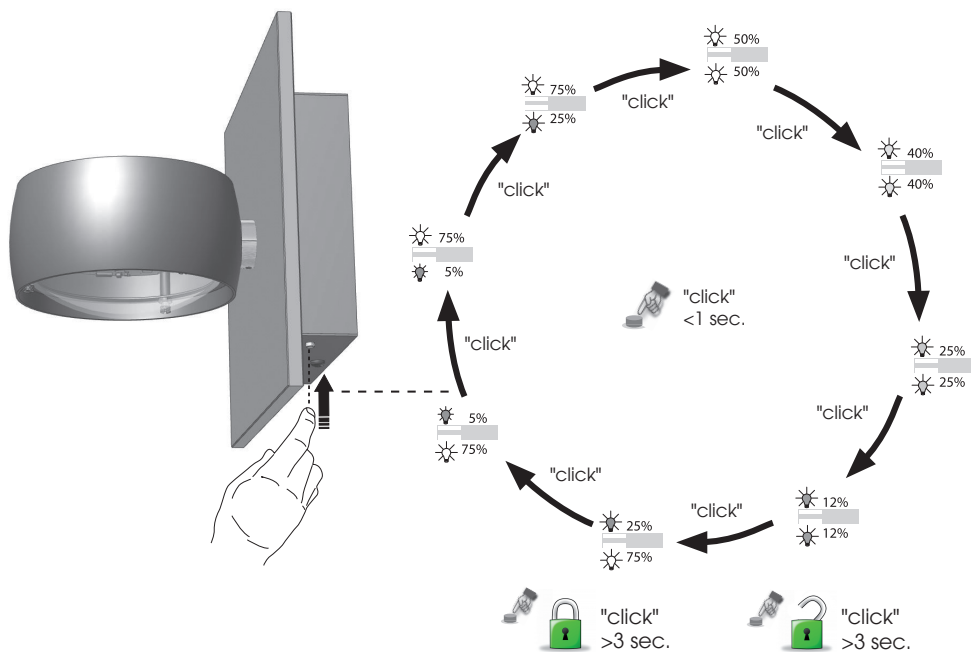
WALL

Design: Ralf Keferstein

OLIGO Lichttechnik GmbH
 Meysstr. 22 - 24
 DE - 53773 Hennef
 Germany
 www.oligo.de
 info@oligo.de

Art.-Nr. / Item-No.
40-903-14-XX

F



| | |
|------|--------------------------------|
| (D) | Leuchtmittel nicht ersetzbar |
| (GB) | Bulbs not replaceable |
| (NL) | Lamp niet vervangbaar |
| (F) | Ampoules non remplaçables |
| (I) | Lampadina non sostituibile |
| (ES) | Bombillas no reemplazables |
| (P) | Lâmpada não substituível |
| (DK) | Ljuskällorna kan inte bytas ut |

| | |
|-------|-------------------------------------|
| (S) | Bulb inte utbytbara |
| (N) | Lyspærer kan ikke skiftes ut |
| (FI) | Vallistusvälinettä ei voi vaihtaa |
| (TR) | Ampuller değiştirilemez |
| (PL) | Źródło światła nie jest wymienne |
| (GR) | Οι λαμπτήρες δεν αντικαθίστανται |
| (RUS) | Светодиоды не поддаются замене |
| (UAE) | تجهيزات الإضاءة غير قابلة للاستبدال |

| | AC100-240V /50-60Hz DC 24V | 18 W | LED /2700K 1300lm /CRI-Ra 80 |
|-------|-------------------------------|------------|---------------------------------|
| (D) | Spannung | Belastung | Lampe |
| (GB) | Voltage | Loading | Bulb |
| (NL) | Spanning | Belasting | Verlichtingsmiddel |
| (F) | Tension | Charge | Ampoule |
| (I) | Tensione | Carico | Sorgente luminosa |
| (ES) | Tensión | Carga | Lámpara |
| (P) | Tensão | Carga | Lâmpada |
| (DK) | Spænding | Belastning | Pære |
| (S) | Spänning | Belastning | Ljuskälla |
| (N) | Spenning | Fatning | Lampe |
| (FI) | Jännite | Kuormitus | Lamppu |
| (TR) | Gerilim | Yük | Lamba |
| (PL) | Napięcie | Oprawa | Lampa |
| (GR) | Τάση | Υποδοχή | Λαμπτήρας |
| (RUS) | Напряжение | Нагрузка | Лампочка |
| (UAE) | الجهد الكهربى | الدواة | المصباح |

| | |
|---|--|
| | |
| | |
| IEC 62471 (EN 62471) RG1 - LOW RISK | |
| | |
| | |
| | |
| | |

