

MX-2

READY FOR TAKE OFF

Design: Ralf Keferstein

Art.-Nr. / Item-No.

11-959-10-XX (150mm)

11-959-20-XX (150mm)

11-959-30-XX (250mm)

OLIGO Lichttechnik GmbH

Meysstr. 22 - 24






DE - 53773 Hennef

GERMANY

www.oligo.de

info@oligo.de

	12V	max. 50W	Gu 5,3	QR-CBC 51
(D)	Spannung	Belastung	Fassung	Lampe
(GB)	Voltage	Loading	Fitting	Bulb
(NL)	Spanning	Belasting	Fitting	Verlichtingsmiddel
(F)	Tension	Charge	Douille	Ampoule
(I)	Tensione	Carico	Portalampada	Sorgente luminosa
(ES)	Tensión	Carga	Portálamparas	Lámpara
(P)	Tensão	Carga	Casquilho	Lâmpada
(DK)	Spænding	Belastning	Fatning	Pære
(S)	Spänning	Belastning	Fattning	Ljuskälla
(N)	Spenning	Fatning	Belastning	Lampe
(FI)	Jännite	Kuormitus	Kanta	Lamppu
(TR)	Gerilim	Yük	Duy	Lamba
(PL)	Napięcie	Oprawka	Obciążenie	Lampa
(GR)	Tάση	Υποδοχή	Φορτίο	Λαμπτήρας
(RUS)	Напряжение	Нагрузка	Патрон	Лампочка
(UAE)	الجهد الكهربى	الدواة	الحمل	المصباح

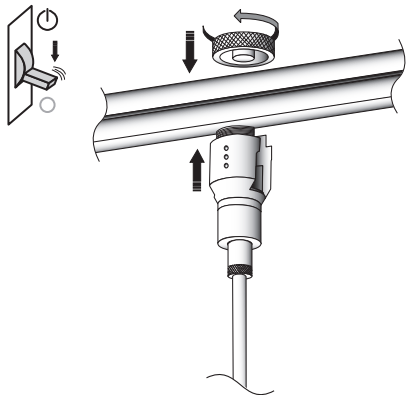
	
	
	LED READY

MO50719 Ver.10 - 08-16

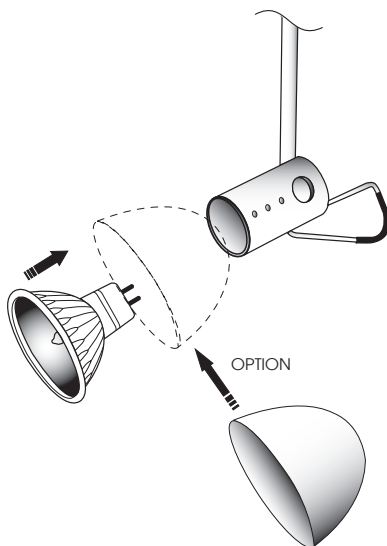
	12V	max. 50W	Gu 5,3	MR 16 SHIELDED
(USA) (CAN)	Voltage/Tension	Loading/Charge	Fitting/Douille	Bulb/Ampoule

	
---	---

A 
SAFETY INSTRUCTIONS



B



C

